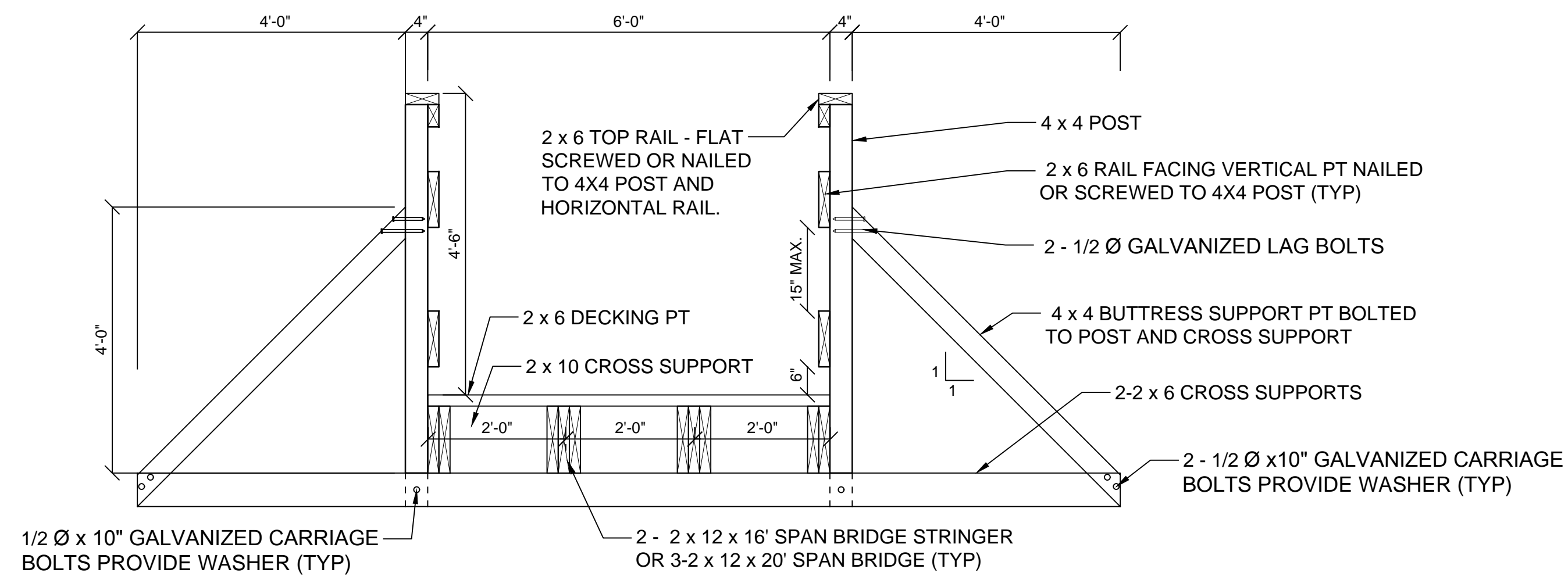
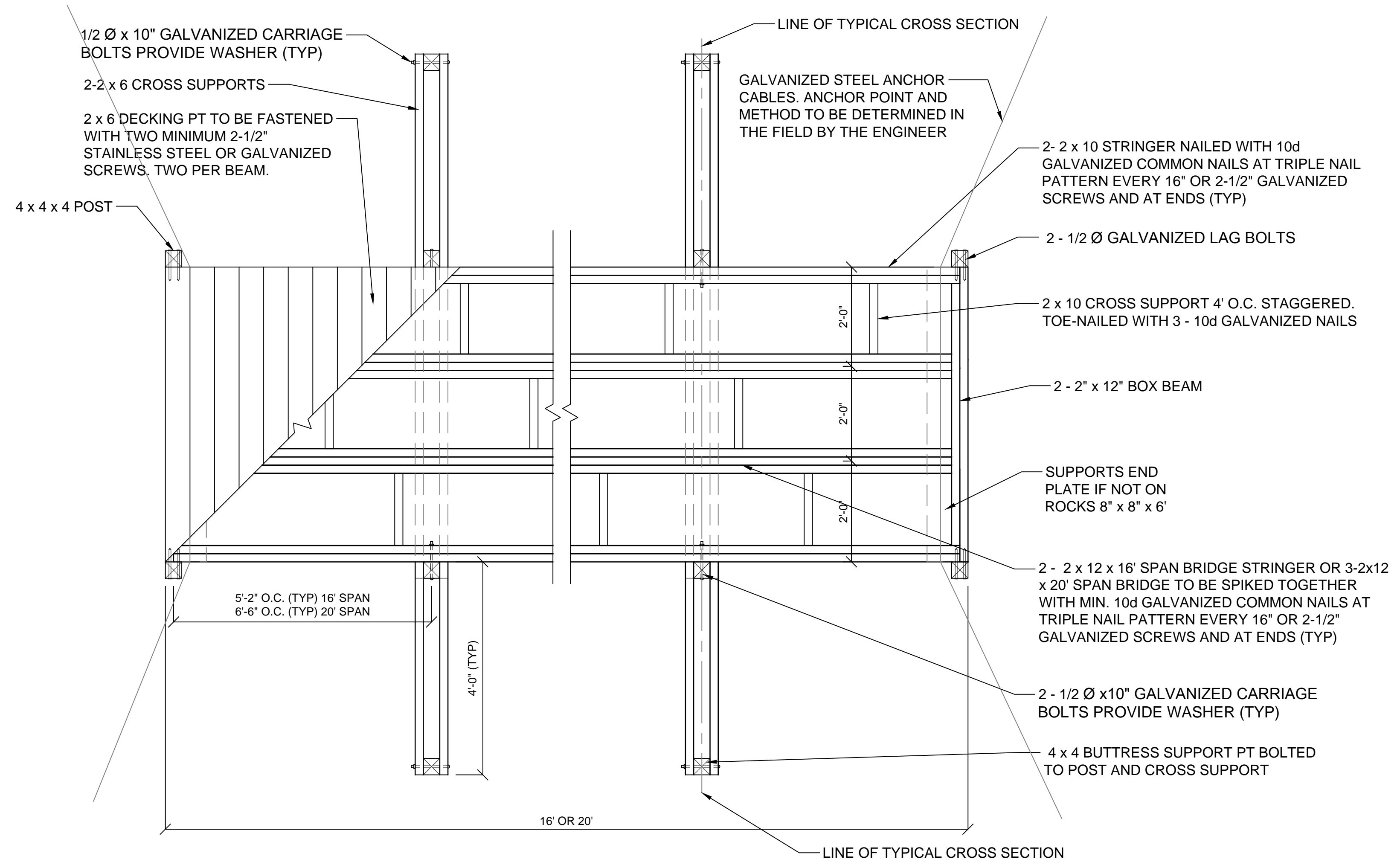


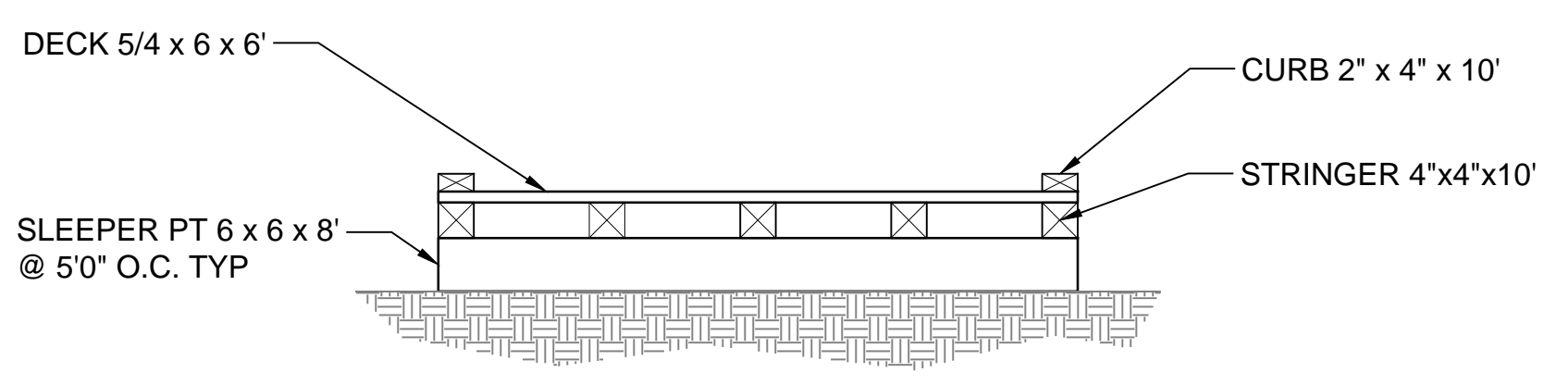
E:\2016\16-49 YORKTOWN TRAIL COMMITTEE\ENGINEERING\CD\16-49 YORKTOWN TRAIL COMMITTEE\16-49 MOHANSIC TRAIL BRIDGES.DWG



MOHANSIC TRAILWAY BRIDGE - TYPICAL CROSS SECTION



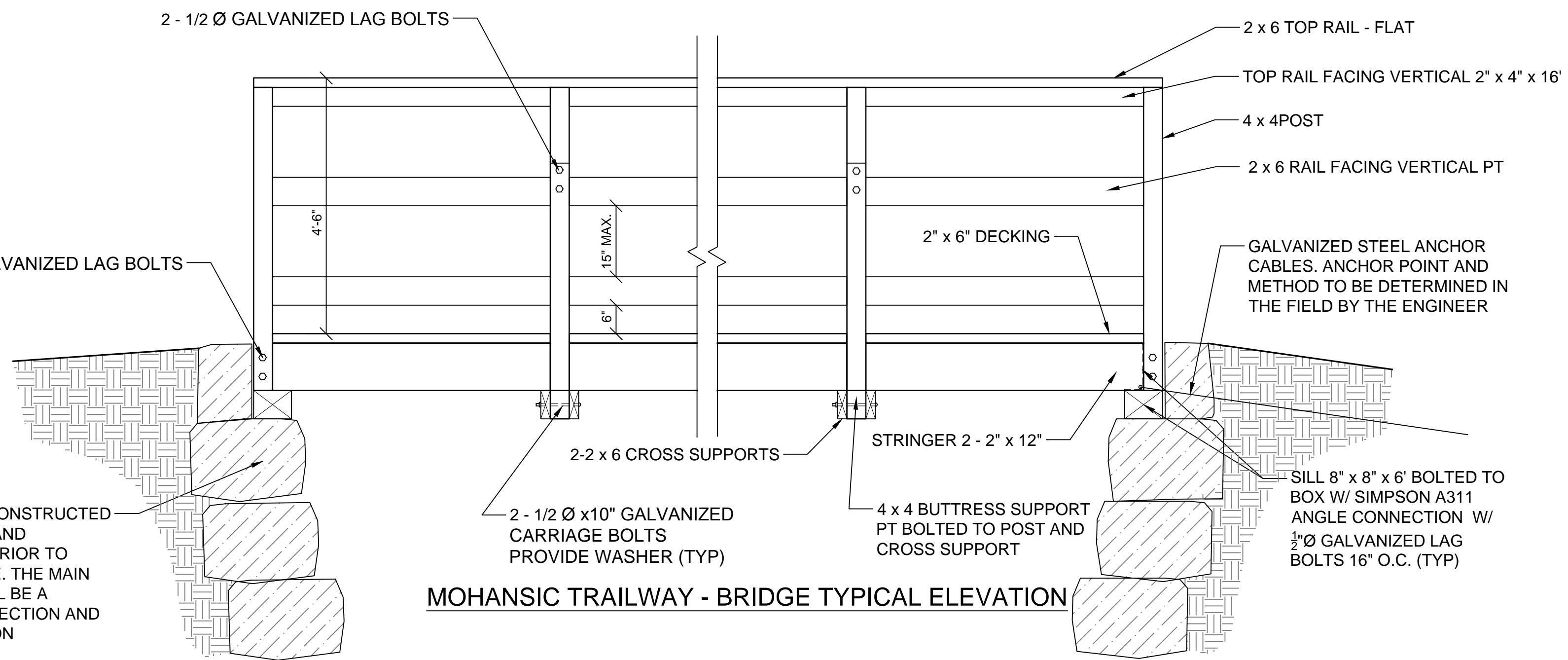
MOHANSIC TRAILWAY - 16' TO 20' BRIDGE PLAN VIEW



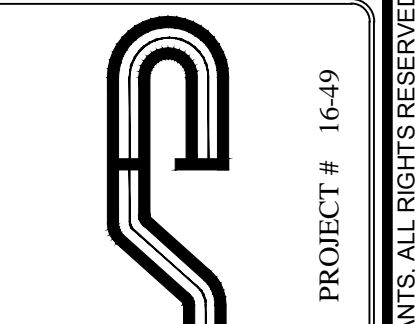
MOHANSIC TRAILWAY - BOARDWALK CROSS SECTION
SEE SEPARATE LOCATION MAP

- TRAIL BRIDGE NOTES:**
1. ALL FRAMING SHALL BE DONE IN ACCORDANCE WITH THE LATEST EDITION OF "NATIONAL DESIGN SPECIFICATIONS FOR STRESS GRADED LUMBER AND ITS FASTENINGS" AS PUBLISHED BY NATIONAL LUMBER MANUFACTURERS. FASTENERS SHALL BE AS PER PLAN OR AT A MINIMUM GALVANIZED 10d COMMON NAILS OR WOOD SCREWS.
 2. THE TRAIL BRIDGE DESIGN WAS GUIDED BY THE US FOREST SERVICE FSH 7709.56b - TRANSPORTATION STRUCTURES HANDBOOK CHAPTER 80 - TRAIL BRIDGE DESIGN. THE RECOMMENDED DESIGN LOAD 65 #/SF LL + 30 #/SF DL.
 3. ALL LUMBER MATERIALS USED IN THE TRAIL BRIDGE SHALL BE GOOD, SOUND, DRY MATERIAL FREE FROM ROT, LARGE AND LOOSE KNOTS, SHAKES AND OTHER IMPERFECTIONS WHEREBY THE STRENGTH MAY BE IMPAIRED AND OF SIZES INDICATED ON DRAWINGS.
 4. ALL WORKMANSHIP INCLUDING NAILING, BLOCKING, BRIDGING, ETC. SHALL CONFORM TO THE NYSUPFBC.
 5. ALL LUMBER SHALL BE NEW AND SHALL BE PRESSURE TREATED DOUGLAS FIR, NO. 2 OR BETTER, WITH MIN. Fb= 1,250 PSI OR BETTER.
 6. ALL LUMBER SHALL BEAR VISIBLE GRADE STAMP.
 7. ALL BEAMS TO BE SET WITH NATURAL CROWN UP.
 8. JOIST HANGERS, FRAMING ANCHORS AND RAFTER ANCHORS SHALL BE MINIMUM 18 GAUGE PRIME GALVANIZED STEEL AS MANUFACTURED BY SIMPSON OR APPROVED EQUAL. SPECIAL NAILS AS SUPPLIED BY MANUFACTURER SHALL BE USED FOR REQUIRED NAILING.
 9. WOOD POSTS SHALL BE PRESSURE TREATED WOOD AND SHALL BE ATTACHED TO THE STRINGERS USING GALVANIZED CARRIAGE BOLTS HAVING A MINIMUM YIELD STRENGTH 57,000 PSI.
 10. PRESSURE PRESERVATIVE TREATMENT FOR WOOD SHALL BE APPROVED BY LOCAL AUTHORITIES HAVING JURISDICTION.
 11. PROVIDE SOLID BLOCKING BETWEEN ALL STRINGERS.
 12. BOX BEAM SHALL BE ANCHORED TO STONE FOUNDATION USING SIMPSON HD38 HOLD DOWNS AT MAXIMUM INTERVALS OF 24". HOLD DOWNS SHALL BE SECURED USING 5/8" x 16" ANCHOR BOLTS GROUTED INTO ROCK VOIDS UNLESS OTHERWISE DETERMINED BY THE ENGINEER IN THE FIELD.
 13. THE DESIGN OF THIS FOOTBRIDGE IS FOR PEDESTRIAN TRAFFIC ONLY. NO MOTORIZED VEHICLES SHALL BE PERMITTED. A SIGN SHALL BE POSTED AT BOTH ENDS STATING: NO MOTOR VEHICLES. FOOTBRIDGE IS ADA COMPLIANT, BUT DOES NOT REFLECT WHETHER TRAIL IS ADA COMPLIANT. TRAIL IS NOT PART OF THIS PLAN.
 14. SEE SEPARATE LOCATION PLAN FOR BRIDGE AND BOARDWALK PLACEMENT.

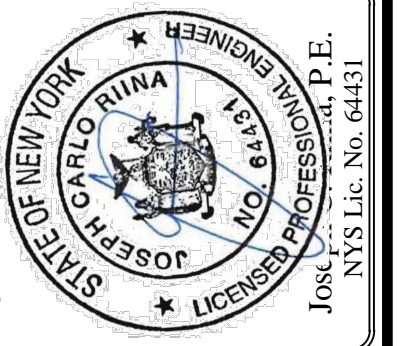
STONE ABUTMENT TO BE CONSTRUCTED UNDER THE SUPERVISION AND APPROVED BY ENGINEER PRIOR TO CONSTRUCTION OF BRIDGE. THE MAIN SUPPORT BOULDERS SHALL BE A MINIMUM OF 24" IN ONE DIRECTION AND 18" IN ANY OTHER DIRECTION



MOHANSIC TRAILWAY - BRIDGE TYPICAL ELEVATION



Site Design Consultants
Civil Engineers • Land Planners
251-F Underhill Avenue, Yorktown Heights, NY 10598
(914) 962-4488 - Fax: (914) 962-7386
www.sitedesignconsultants.com



Revisions:	No.	Date	Comments

SCALE:	NTS
DRAWN BY:	MD
DATE:	2-11-17

PLAN, ELEVATION, & DETAILS

PEDESTRIAN TRAIL BRIDGE PLAN
PREPARED FOR
TOWN OF YORKTOWN TRAIL COMMITTEE
MOHANSIC TRAIL
Westchester County, NY
Town of Yorktown



NOTE: UNAUTHORIZED ALTERATIONS OR ADDITIONS TO THIS DRAWING IS A VIOLATION OF SECTION 7209 (2) OF THE NEW YORK STATE EDUCATION LAW.